

NOTES TO G.C.

1. Give special attention to any construction to ceiling detail, electrical conduit, etc.
2. One steel Concho™ - (Rings steel) to be installed & fixed by other. Alternate steel support to be "C-Channel" only/other.
3. Approx. weight of Concho™ to structure to be designed by others. Ringing profiles with Skyfold Electrical Control Box can be used for many occasions.
4. Typical load on rings & steel to be fixed with metal mounts or ceiling supports.
5. Approximate weight of wall:

XXXX lbs.
XXXX lbs.
XXXX lbs.
6. Maximum weight per trapeze:

XXXX lbs.
XXXX lbs.
XXXX lbs.
7. Standard height: 200 (V.A.C. 300, 60" etc.)
8. **PROVIDE WALL BE AVAILABLE AT TIME OF INSTALLATION**
9. **THE ELECTRICAL CONTROL BOX IS TO BE MOUNTED BY THE ELECTRICAL CONTRACTOR.**
10. Skyfold requires two 2" x 2" x 1/2" (1/2" min) metal channels for mounting ceiling directly to ceiling structure. If indirect ceiling is required, it must be ceiling suspended ceiling like 16, 16a, 16b, 16c, 16d, 16e, 16f, 16g, 16h, 16i, 16j, 16k, 16l, 16m, 16n, 16o, 16p, 16q, 16r, 16s, 16t, 16u, 16v, 16w, 16x, 16y, 16z, 16aa, 16ab, 16ac, 16ad, 16ae, 16af, 16ag, 16ah, 16ai, 16aj, 16ak, 16al, 16am, 16an, 16ao, 16ap, 16aq, 16ar, 16as, 16at, 16au, 16av, 16aw, 16ax, 16ay, 16az, 16ba, 16bb, 16bc, 16bd, 16be, 16bf, 16bg, 16bh, 16bi, 16bj, 16bk, 16bl, 16bm, 16bn, 16bo, 16bp, 16bq, 16br, 16bs, 16bt, 16bu, 16bv, 16bw, 16bx, 16by, 16bz, 16ca, 16cb, 16cc, 16cd, 16ce, 16cf, 16cg, 16ch, 16ci, 16cj, 16ck, 16cl, 16cm, 16cn, 16co, 16cp, 16cq, 16cr, 16cs, 16ct, 16cu, 16cv, 16cw, 16cx, 16cy, 16cz, 16da, 16db, 16dc, 16dd, 16de, 16df, 16dg, 16dh, 16di, 16dj, 16dk, 16dl, 16dm, 16dn, 16do, 16dp, 16dq, 16dr, 16ds, 16dt, 16du, 16dv, 16dw, 16dx, 16dy, 16dz, 16ea, 16eb, 16ec, 16ed, 16ee, 16ef, 16eg, 16eh, 16ei, 16ej, 16ek, 16el, 16em, 16en, 16eo, 16ep, 16eq, 16er, 16es, 16et, 16eu, 16ev, 16ew, 16ex, 16ey, 16ez, 16fa, 16fb, 16fc, 16fd, 16fe, 16ff, 16fg, 16fh, 16fi, 16fj, 16fk, 16fl, 16fm, 16fn, 16fo, 16fp, 16fq, 16fr, 16fs, 16ft, 16fu, 16fv, 16fw, 16fx, 16fy, 16fz, 16ga, 16gb, 16gc, 16gd, 16ge, 16gf, 16gg, 16gh, 16gi, 16gj, 16gk, 16gl, 16gm, 16gn, 16go, 16gp, 16gq, 16gr, 16gs, 16gt, 16gu, 16gv, 16gw, 16gx, 16gy, 16gz, 16ha, 16hb, 16hc, 16hd, 16he, 16hf, 16hg, 16hh, 16hi, 16hj, 16hk, 16hl, 16hm, 16hn, 16ho, 16hp, 16hq, 16hr, 16hs, 16ht, 16hu, 16hv, 16hw, 16hx, 16hy, 16hz, 16ia, 16ib, 16ic, 16id, 16ie, 16if, 16ig, 16ih, 16ii, 16ij, 16ik, 16il, 16im, 16in, 16io, 16ip, 16iq, 16ir, 16is, 16it, 16iu, 16iv, 16iw, 16ix, 16iy, 16iz, 16ja, 16jb, 16jc, 16jd, 16je, 16jf, 16jg, 16jh, 16ji, 16jj, 16jk, 16jl, 16jm, 16jn, 16jo, 16jp, 16jq, 16jr, 16js, 16jt, 16ju, 16jv, 16jw, 16jx, 16jy, 16jz, 16ka, 16kb, 16kc, 16kd, 16ke, 16kf, 16kg, 16kh, 16ki, 16kj, 16kk, 16kl, 16km, 16kn, 16ko, 16kp, 16kq, 16kr, 16ks, 16kt, 16ku, 16kv, 16kw, 16kx, 16ky, 16kz, 16la, 16lb, 16lc, 16ld, 16le, 16lf, 16lg, 16lh, 16li, 16lj, 16lk, 16ll, 16lm, 16ln, 16lo, 16lp, 16lq, 16lr, 16ls, 16lt, 16lu, 16lv, 16lw, 16lx, 16ly, 16lz, 16ma, 16mb, 16mc, 16md, 16me, 16mf, 16mg, 16mh, 16mi, 16mj, 16mk, 16ml, 16mm, 16mn, 16mo, 16mp, 16mq, 16mr, 16ms, 16mt, 16mu, 16mv, 16mw, 16mx, 16my, 16mz, 16na, 16nb, 16nc, 16nd, 16ne, 16nf, 16ng, 16nh, 16ni, 16nj, 16nk, 16nl, 16nm, 16nn, 16no, 16np, 16nq, 16nr, 16ns, 16nt, 16nu, 16nv, 16nw, 16nx, 16ny, 16nz, 16oa, 16ob, 16oc, 16od, 16oe, 16of, 16og, 16oh, 16oi, 16oj, 16ok, 16ol, 16om, 16on, 16oo, 16op, 16oq, 16or, 16os, 16ot, 16ou, 16ov, 16ow, 16ox, 16oy, 16oz, 16pa, 16pb, 16pc, 16pd, 16pe, 16pf, 16pg, 16ph, 16pi, 16pj, 16pk, 16pl, 16pm, 16pn, 16po, 16pp, 16pq, 16pr, 16ps, 16pt, 16pu, 16pv, 16pw, 16px, 16py, 16pz, 16qa, 16qb, 16qc, 16qd, 16qe, 16qf, 16qg, 16qh, 16qi, 16qj, 16qk, 16ql, 16qm, 16qn, 16qo, 16qp, 16qq, 16qr, 16qs, 16qt, 16qu, 16qv, 16qw, 16qx, 16qy, 16qz, 16ra, 16rb, 16rc, 16rd, 16re, 16rf, 16rg, 16rh, 16ri, 16rj, 16rk, 16rl, 16rm, 16rn, 16ro, 16rp, 16rq, 16rr, 16rs, 16rt, 16ru, 16rv, 16rw, 16rx, 16ry, 16rz, 16sa, 16sb, 16sc, 16sd, 16se, 16sf, 16sg, 16sh, 16si, 16sj, 16sk, 16sl, 16sm, 16sn, 16so, 16sp, 16sq, 16sr, 16ss, 16st, 16su, 16sv, 16sw, 16sx, 16sy, 16sz, 16ta, 16tb, 16tc, 16td, 16te, 16tf, 16tg, 16th, 16ti, 16tj, 16tk, 16tl, 16tm, 16tn, 16to, 16tp, 16tq, 16tr, 16ts, 16tt, 16tu, 16tv, 16tw, 16tx, 16ty, 16tz, 16ua, 16ub, 16uc, 16ud, 16ue, 16uf, 16ug, 16uh, 16ui, 16uj, 16uk, 16ul, 16um, 16un, 16uo, 16up, 16uq, 16ur, 16us, 16ut, 16uu, 16uv, 16uw, 16ux, 16uy, 16uz, 16va, 16vb, 16vc, 16vd, 16ve, 16vf, 16vg, 16vh, 16vi, 16vj, 16vk, 16vl, 16vm, 16vn, 16vo, 16vp, 16vq, 16vr, 16vs, 16vt, 16vu, 16vv, 16vw, 16vx, 16vy, 16vz, 16wa, 16wb, 16wc, 16wd, 16we, 16wf, 16wg, 16wh, 16wi, 16wj, 16wk, 16wl, 16wm, 16wn, 16wo, 16wp, 16wq, 16wr, 16ws, 16wt, 16wu, 16wv, 16ww, 16wx, 16wy, 16wz, 16xa, 16xb, 16xc, 16xd, 16xe, 16xf, 16xg, 16xh, 16xi, 16xj, 16xk, 16xl, 16xm, 16xn, 16xo, 16xp, 16xq, 16xr, 16xs, 16xt, 16xu, 16xv, 16xw, 16xx, 16xy, 16xz, 16ya, 16yb, 16yc, 16yd, 16ye, 16yf, 16yg, 16yh, 16yi, 16yj, 16yk, 16yl, 16ym, 16yn, 16yo, 16yp, 16yq, 16yr, 16ys, 16yt, 16yu, 16yv, 16yw, 16yx, 16yy, 16yz, 16za, 16zb, 16zc, 16zd, 16ze, 16zf, 16zg, 16zh, 16zi, 16zj, 16zk, 16zl, 16zm, 16zn, 16zo, 16zp, 16zq, 16zr, 16zs, 16zt, 16zu, 16zv, 16zw, 16zx, 16zy, 16zz
12. Dimension () use in millimeters (omit unless noted otherwise).

- LEGEND**
- KEY SWITCH CONTROL
 - CEILING SUPPORT AND HANGER
 - CEILING ACCESS PANEL

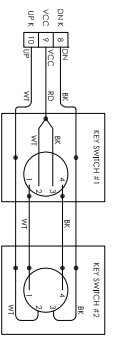
THE DRAWING SHOWN AS A GUIDE IN ALL CASES. THE DRAWING CONTRACTOR SHALL VERIFY ALL DIMENSIONS AND REQUIREMENTS FOR ALL BUILDING CONDITIONS.

TYPICAL ECLIPSE WALL

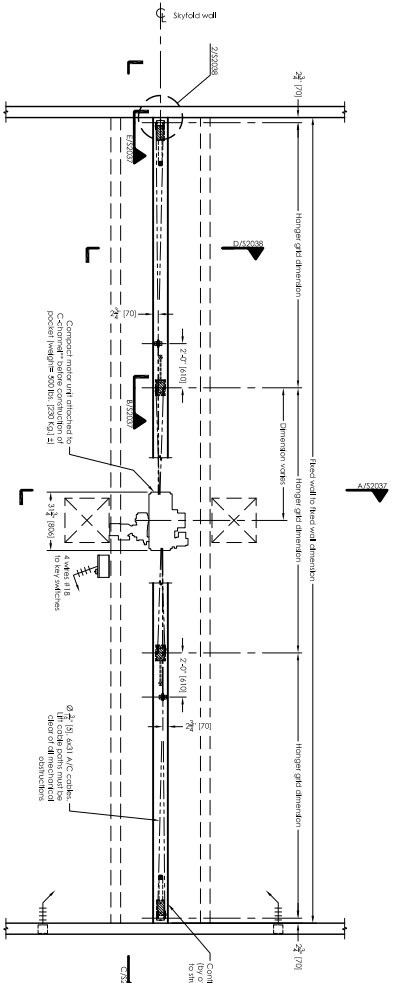
X @ X'-X" [XXX] X
X'-X" [XXX] B.O. Pocket
Compact drive unit

MECHANICAL & ELECTRICAL DETAILS

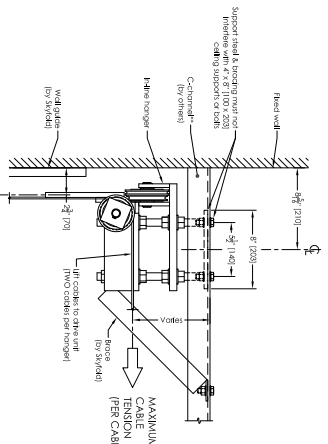
1
SCALE: 1/2" = 1'-0"
S2037



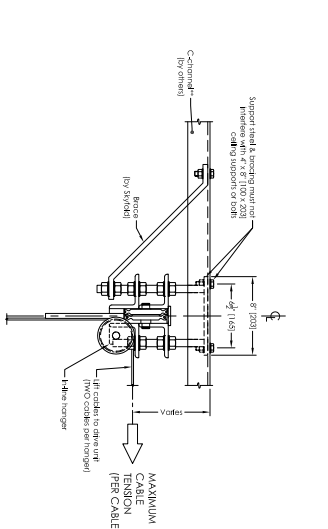
VARIOUS DIMENSIONS FOR THE HANGERS IN SERIES
SCALE: NONE



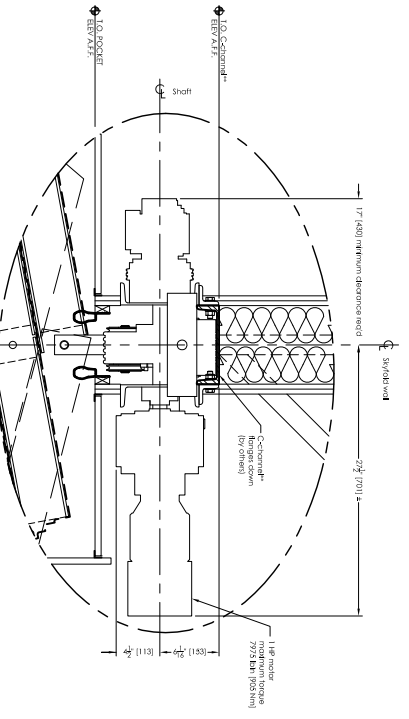
PLAN
SCALE: 3/8\"/>



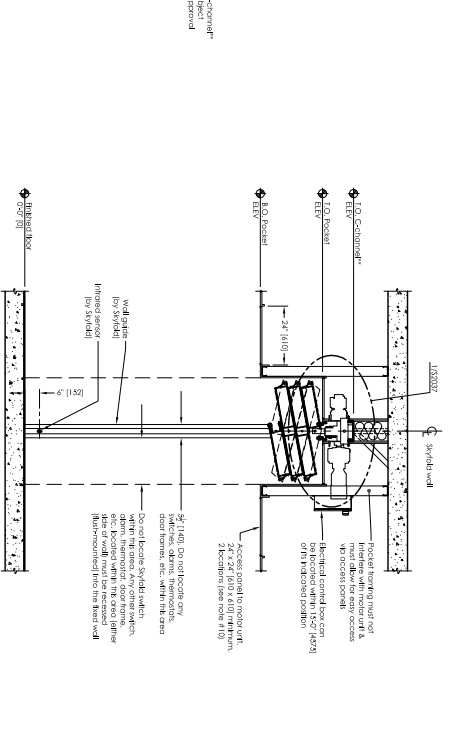
SECTION - LOADS @ HANGERS
END CONDITION, TYP X2
SCALE: 1/2\"/>



SECTION - LOADS @ HANGERS
MID CONDITION, TYP X2
SCALE: 1/2\"/>



DETAIL - SKYFOLD MECHANICAL
SCALE: 1/2\"/>



SECTION - WALL UP
SCALE: 1/2\"/>

